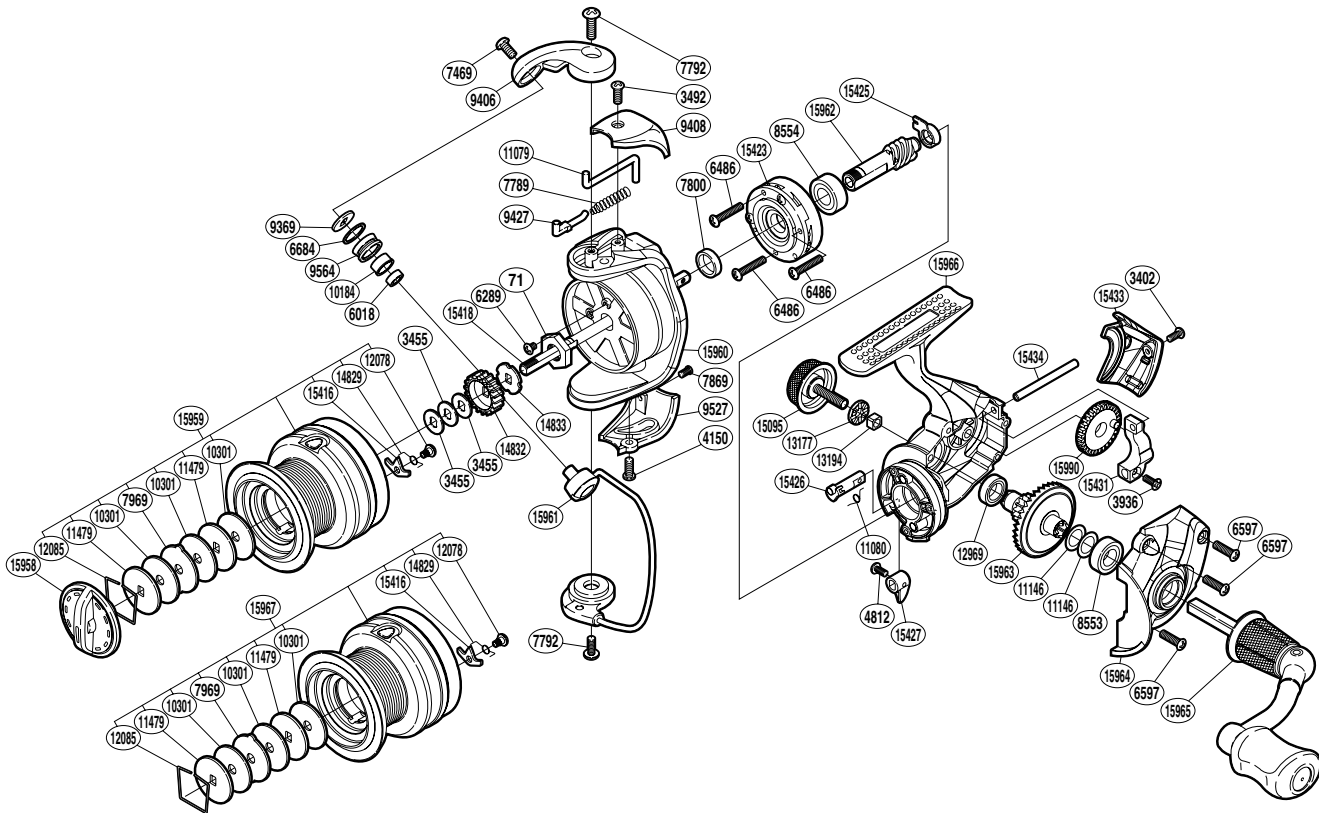


SHIMANO

EXAGE

EXG-2500FD



Please note that the number of adjusting washers may not be the same as shown in the exploded views. (Adjustment will vary with each individual product.)

(51SG792503G)

Part No.	Description	Part No.	Description	Part No.	Description
RD 0071	Rotor Nut	RD 9427	Bail Spring Guide ****	RD15427	Anti-Reverse Lever
RD 3402	Screw	RD 9527	Bail Hold Support Guard	RD15431	Oscillating Slider
RD 3455	Spool Washer	RD 9564	Line Roller *	RD15433	Rear Protector
RD 3492	Screw	RD10184	Line Roller Bushing *	RD15434	Oscillating Guide
RD 3936	Screw	RD10301	Drag Washer	RD15958	Drag Knob
RD 4150	Screw	RD11079	Bail Trip Lever	RD15959	Spool Assembly
RD 4812	Screw	RD11080	Anti-Reverse Cam Spring	RD15960	Rotor
RD 6018	Ball Bearing *	RD11146	Washer **/*****	RD15961	Bail Assembly
RD 6289	Screw	RD11479	Key Washer	RD15962	Pinion Gear **
RD 6486	Screw	RD12078	Screw *****	RD15963	Drive Gear **
RD 6597	Screw	RD12085	Drag Washers Retainer	RD15964	Side Cover
RD 6684	Line Roller Spacer *	RD12969	Ball Bearing *****	RD15965	Handle Assembly
RD 7469	Screw *	RD13177	Handle Screw Cap Spacer	RD15966	Body
RD 7789	Bail Spring ****	RD13194	Handle Screw Lock	RD15990	Oscillating Gear
RD 7792	Screw ****	RD14829	Drag Click Spring *****		
RD 7800	Rotor Ring	RD14832	Spool Support A	RD15967	Spare Spool Assembly
RD 7869	Screw	RD14833	Spool Support B		
RD 7969	Eared Washer	RD15095	Handle Screw Cap		
RD 8553	Ball Bearing *****	RD15416	Drag Click *****	PK 0188	Line Roller Set *
RD 8554	Ball Bearing *****	RD15418	Main Shaft	PK 0189	Gear Set **
RD 9369	Line Roller Washer *	RD15423	Roller Clutch Assembly	PK 0190	Bail Spring Set ****
RD 9406	Bail Arm	RD15425	Pinion Gear Bushing	PK 0191	Bearing Set *****
RD 9408	Bail Spring Cover	RD15426	Anti-Reverse Cam	PK 0192	Drag Clicker Set *****